

# CONCRETE FORMING

**DESIGN/CONSTRUCTION GUIDE**



# WOOD

## The Miracle Material™



Wood is the right choice for a host of construction applications. It is the earth's natural, energy efficient and renewable building material.

*Engineered wood is a better use of wood.* The miracle in today's wood products is that they make more efficient use of the wood fiber resource to make stronger plywood, oriented strand board, I-joists, glued laminated timbers, and laminated veneer lumber. That's good for the environment, and good for designers seeking strong, efficient, and striking building design.

### A few facts about wood.

- **We're not running out of trees.** One-third of the United States land base – 731 million acres – is covered by forests. About two-thirds of that 731 million acres is suitable for repeated planting and harvesting of timber. But only about half of the land suitable for growing timber is open to logging.



Most of that harvestable acreage also is open to other uses, such as camping, hiking, and hunting. Forests fully cover one-half of Canada's land mass. Of this forestland, nearly half is considered productive, or capable of producing timber on a sustained yield basis. Canada has the highest per capita accumulation of protected natural areas in the world – areas including national and provincial parks.



- **We're growing more wood every day.** American landowners plant more than two billion trees every year. In addition, millions of trees seed naturally. The forest products industry, which comprises about 15 percent of forestland ownership, is responsible for 41 percent of replanted forest acreage. That works out to more than one billion trees a year, or about three million trees planted every day. This high rate of replanting accounts for the fact that each year, 27 percent more timber is grown than is harvested. Canada's replanting record shows a fourfold increase in the number of trees planted between 1975 and 1990.

- **Manufacturing wood is energy efficient.** Wood products made up 47 percent of all industrial raw materials manufactured in the United States, yet consumed only 4 percent of the energy needed to manufacture all industrial raw materials, according to a 1987 study.

Material	Percent of Production	Percent of Energy Use
Wood	47	4
Steel	23	48
Aluminum	2	8



- **Good news for a healthy planet.** For every ton of wood grown, a young forest produces 1.07 tons of oxygen and absorbs 1.47 tons of carbon dioxide.

Wood, the miracle material for the environment, for design, and for strong, lasting construction.

### NOTICE:

The recommendations in this guide apply only to panels that bear the APA trademark. Only panels bearing the APA trademark are subject to the Association's quality auditing program.





**C**oncrete formwork represents close to half the cost of a concrete structure. Form development, therefore, warrants serious and detailed engineering consideration.

The realization of architectural intent, similarly, is related to formwork quality. The form is to structure what a mold is to sculpture, and it follows that a concrete building or other structure will be as aesthetically true as the form that shapes it.

This APA publication is intended for use by architects, engineers and contractors in their pursuit of successful, cost-effective concrete structures. It contains APA panel grade information, form maintenance recommendations, design data and several project case histories.

For additional information on APA panel grades, applications or member manufacturers, contact APA or visit the Association's web site at [www.apawood.org](http://www.apawood.org).

The following books also are recommended for additional concrete formwork information:

*Formwork for Concrete*, M.K. Hurd,  
copyright 1995 by the American Concrete Institute

*Formwork for Concrete Structures*,  
R.L. Peurifoy and Garold Oberlender,  
copyright 1995 by McGraw-Hill

## CONTENTS

---

Selecting and Specifying Concrete Form Panels . . . . .	4
Form Maintenance . . . . .	9
Form Design . . . . .	10
Engineering Data . . . . .	17
Case Studies . . . . .	21

## **SELECTING AND SPECIFYING CONCRETE FORM PANELS**

### **General**

Virtually any Exterior type APA panel can be used for concrete formwork because all such panels are manufactured with waterproof glue. For concrete forming the plywood industry produces a special product called Plyform,<sup>®</sup> which is recommended for most general forming uses. The term is proprietary and may be applied only to specific products which bear the trademark of APA – *The Engineered Wood Association*. All Plyform panels are Exterior type made with C or better veneer and waterproof glue.

MDO and HDO are names the plywood industry uses to describe overlaid surfaces. MDO means “Medium Density Overlay” and HDO means “High Density Overlay.” During plywood production, these overlays are bonded to the plywood under high heat and pressure in a press. The function of the overlay is to add stability, repel foreign substances from the surface and provide a smoother and more durable forming surface. The thermo-set resins used in overlay production are hard and resist water, chemicals and abrasion. HDO is most often specified where the smoothest possible concrete finish and maximum number of reuses is desired.

### **Plywood Grades**

Plyform is Exterior-type plywood limited to certain wood species and veneer grades to assure high performance. Products bearing this specific identification are available in three basic grades: Plyform Class I, Plyform Class II and

Structural I Plyform. Each may be ordered with a High Density Overlaid surface on one or both sides. Plyform Class I is also available as Structural I Plyform when additional strength is needed.

### **Plyform Class I**

Class I Plyform has Group 1 faces for high strength and stiffness. See Tables 3 and 4 for load capacities.

### **Structural I Plyform**

This concrete forming panel is made with Group 1 wood species throughout – the strongest. All other factors being equal, it will support the highest loads both along and across the panel. It is specifically designed for engineered applications and is recommended where face grain is parallel to supports. See Table 5 and 6 for load capacities.

### **Plyform Class II**

Class II Plyform may have Group 2 faces but still provides adequate strength for most forming applications. Check with supplier for availability.

### **B-B Plyform**

Nonoverlaid Plyform is usually made with B grade veneer face and back and referred to as “B-B Plyform.” It is available as Structural I, Class I or Class II. The panels are sanded on both sides and treated with a release agent at the mill (called “mill oiled”) unless otherwise specified.

Unless the mill treatment is reasonably fresh when the panels are first used, the plywood may require another treatment of release agent. It is also important to apply a top-quality edge sealer before the first pour. Plyform panels can be ordered edge-sealed from the mill. Five to ten reuses of B-B Plyform are common.

### **HDO Plyform**

This Plyform panel meets the same general specifications as Plyform Structural I or Class I or Class II. All classes of HDO Plyform have a hard, semi-opaque surface of thermo-set resin-impregnated material that forms a durable, continuous bond with the plywood. The abrasion-resistant surface should be treated with a release agent prior to its first use and between each pour to preserve the surface and facilitate easy stripping.

HDO Plyform is most often specified when the smoothest possible concrete finishes are desired, because the panel has a hard, smooth surface. It can impart a nearly polished concrete surface. Both sides of HDO are moisture resistant but cannot always be used to form concrete with equal effectiveness unless specifically made for that purpose. Scratches and dents in the backs caused by fastening the panels to the supports may make the use of both sides impractical. Various grades of HDO Plyform may be available; check with your supplier. With reasonable care, HDO Plyform will normally produce 20 to 50 reuses or more. Some concrete-forming specialists achieve 200 or more reuses with good results.

### **Medium Density Overlay**

Special proprietary grades of MDO are available for concrete forming. *Regular MDO is intended for use as a paint surface and should not be used for concrete forming.* Panels are typically overlaid on only one side, although they can be produced with MDO on both sides. Proprietary MDO concrete form plywood is normally factory-treated with a release agent and edge-sealed to protect the edges from water absorption. The

abrasion-resistant surface should be treated with a release agent prior to its first use and between each pour to preserve the surface and facilitate easy stripping. MDO form panels create a matte or flat finish on the concrete surface.

### **Related Grades**

Additional plywood grades specifically designed for concrete forming include special overlay panels and proprietary panels. These panels are designed to produce a smooth, uniform concrete surface. Some proprietary panels are made of Group 1 wood species only, and have thicker face and back veneers than those normally used. These provide greater parallel-to-face grain strength and stiffness for the panel. Faces may be specially treated or coated with a release agent. Check with the manufacturer for design specifications and surface treatment recommendations.

### **Special Textures**

Plywood is manufactured in many surface textures, ranging from the polished High Density Overlaid plywood to patterned board-and-batten siding panels. Working with these special panels, and with field-applied patterns, virtually any texture can be created.

Exterior-type textured plywood usually is applied in two ways in formwork design: (1) as a liner requiring plywood backing so that the liner delivers texture, but contributes little to the structure of the formwork, or (2) as the basic forming panel. In the second case, the best reports come from projects where the number of pours required is limited, because the textured surface can increase necessary stripping forces and, therefore, the possibility of panel

damage in the stripping process. Film-coatings, such as lacquer, polyurethane or epoxy, can be used with a release agent to make stripping easier.

### **Plywood Tolerances**

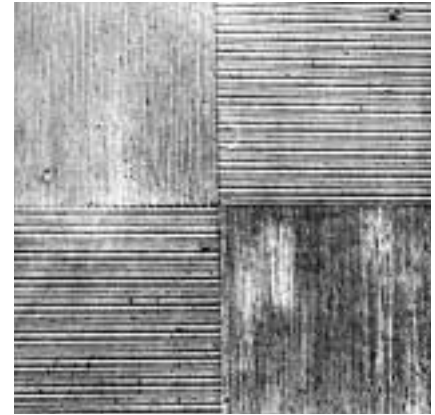
Plywood is an engineered product, manufactured to exacting tolerances under U.S. Product Standard PS 1-95. A tolerance of plus 0.0 inch and minus 1/16 inch is allowed on the specified width and/or length. Sanded Plyform panels are manufactured with a thickness tolerance of plus or minus 1/64 inch of the specified panel thickness for 3/4 inch and less, and plus or minus 3 percent of the specified thickness for panels thicker than 3/4 inch.

Overlaid Plyform panels have a plus or minus tolerance of 1/32 inch for all thicknesses through 13/16 inch. Thicker panels have a tolerance of 5 percent over or under the specified thickness.

For squareness, the Product Standard requires panels to be square within 1/64 inch per nominal foot of length when measured corner to corner along the diagonal, for panels 4 feet and greater in length.

For edge straightness, panels must be manufactured so that a straight line drawn from one corner to an adjacent corner shall fall within 1/16 inch of the panel edge.

These tolerances, and consistent levels of quality required by APA – *The Engineered Wood Association*, help minimize the time and labor required in building forms. Good construction practices dictate an awareness of the tolerances at the jobsite. In an extreme



case, two 3/4-inch sanded panels, both within manufacturing tolerances, could form a joint with a 1/32-inch variation in surface level from panel to panel. Realignment of panels and shimming are quick, easy solutions.

### **Concrete Surface Characteristics**

**Surface dusting** of concrete has occasionally been observed in concrete poured against a variety of forming materials, including plywood. There appears to be no single reason – the soft, chalky surface has been traced to a variety of possible causes, including excess oil, dirt, dew, smog, unusually hot, dry climactic conditions, and chemical reactions between the form surface and the concrete.

There may be other factors involved in dusting. The problem appears to occur at certain seasons of the year and in specific localities and with certain concrete mixes. Dusting during cold weather pouring may result from additives used in the concrete to protect against freezing. Too much water in the mix can cause laitance which, in effect, is dusting. Excess vibration can contribute to the same problem.

Various means of rectifying the problem have been successful. Preventive measures include proper form storage (cool, dry conditions) and cleanliness (avoiding needless exposure to dust, oil and weathering). If dusting occurs, a fine water spray is reported to help speed surface hardening. The State of California Department of Transportation reports that "...rather than attempt to employ inconvenient methods of preventing dusting, final results will be satisfactory if affected areas are subsequently cured for a few days with water in a spray fine enough not to erode the soft surface." Other concrete specialists have recommended surface treatment solutions such as magnesium fluorosilicate or sodium silicate.

**Staining** is occasionally observed on concrete poured against HDO plywood forms. The reddish or pinkish stain is a fugitive dye, and usually disappears with exposure to sunlight and air.

Where sunlight cannot reach the stain, natural bleaching takes longer. Household bleaching agents such as Clorox or Purex (5% solutions of sodium hypochlorite), followed by clear-water flushing, have been found effective in hastening stain removal.

On rare occasions, other discolorations have been observed in new concrete. For example, iron salts resulting from iron sulfides and ferrous oxides in slag cement have been found to stain concrete a greenish-blue color, particularly when large, continuous, smooth and airtight form surfaces are used.

Both occurrence and intensity of color seem to be related to the length of time between application of release agents to forms and pouring of concrete, as well as to the length of time before the forms are stripped. It has been suggested that loosening or opening the forms at the earliest possible time after placing the concrete would prevent the occurrence of discoloration in slag concrete. The discoloration usually fades and disappears with time. Hydrogen peroxide solutions have been reported useful in removing the color, particularly when applied to the concrete immediately after form removal.

Ferrous sulfides in the coarse aggregate, such as pyrite and marcasite, can cause rust-colored stains on the concrete.

### Suggested Method of Ordering

The best method of ordering Plyform is to state the Class, number of pieces, width, length, thickness and grade. For example: "APA Plyform Class I, 100 pcs. 48 x 96 x 5/8 B-B Exterior type, mill oiled." Concrete form panels are mill treated with release agents unless otherwise specified. Even so, it is good practice to indicate treatment requirements when ordering.

When ordering overlaid plywood, the basic descriptions should be specified – High Density Overlay (HDO), for example. The number of pieces, size and thickness should be noted in the same way as Plyform.

Special surface requirements should be stated after the standard form of the order. Weights of surfacing material include High Density 60-60 (standard weight) and other variations such as 90-60, 120-60, or 120-120.

### Metric Conversions

Metric equivalents of nominal thicknesses and common sizes of wood structural panels are tabulated below (1 inch = 25.4 millimeters).

**PANEL NOMINAL DIMENSIONS (WIDTH X LENGTH)**

ft	mm	m (approx.)
4 x 8	1220 x 2440	1.22 x 2.44
4 x 9	1220 x 2740	1.22 x 2.74
4 x 10	1220 x 3050	1.22 x 3.05

**PANEL NOMINAL THICKNESS**

in.	mm
1/4	6.4
5/16	7.9
11/32	8.7
3/8	9.5
7/16	11.1
15/32	11.9
1/2	12.7
19/32	15.1
5/8	15.9
23/32	18.3
3/4	19.1
7/8	22.2
1	25.4
1-3/32	27.8
1-1/8	28.6

**GRADE-USE GUIDE FOR CONCRETE FORMS\***

Use These Terms When You Specify Plywood	Description	Typical Trademarks	Veneer Grade		
			Faces	Inner Plies	Backs
APA B-B PLYFORM Class I & II**	Specifically manufactured for concrete forms. Many reuses. Smooth, solid surfaces. Mill-treated unless otherwise specified.		B	C	B
APA High Density Overlaid PLYFORM Class I & II**	Hard, semi-opaque resin-fiber overlay, heat-fused to panel faces. Smooth surface resists abrasion. Up to 200 reuses. Light application of releasing agent recommended between pours.	HDO • B-B • PLYFORM I • 60/60 • EXT-APA • 000 • PS 1-95	B	C-Plugged	B
APA STRUCTURAL I PLYFORM**	Especially designed for engineered applications. All Group 1 species. Stronger and stiffer than Plyform Class I and II. Recommended for high pressures where face grain is parallel to supports. Also available with High Density Overlay faces.		B	C or C-Plugged	B
Special Overlays, proprietary panels and Medium Density Overlaid plywood specifically designed for concrete forming.**	Produces a smooth uniform concrete surface. Generally mill treated with form release agent. Check with manufacturer for specifications, proper use, and surface treatment recommendations for greatest number of reuses.				
APA B-C EXT	Sanded panel often used for concrete forming where only one smooth, solid side is required.		B	C	C

\* Commonly available in 19/32", 5/8", 23/32" and 3/4" panel thicknesses (4' x 8' size).

\*\* Check dealer for availability in your area.





## **FORM MAINTENANCE**

### **Stripping**

Metal bars or pry bars should not be used on plywood because they will damage the panel surface and edge. Use wood wedges, tapping gradually when necessary. Plywood's strength, light weight and large panel size help reduce stripping time. Cross-laminated construction resists edge splitting.

### **Cleaning and Release Agent Application**

Soon after removal, plywood forms should be inspected for wear, cleaned, repaired, spot primed, refinished and lightly treated with a form-release agent before reusing. Use a hardwood wedge and a stiff fiber brush for cleaning (a metal brush may cause wood fibers to "wool"). Light tapping on the back side with a hammer will generally remove a hard scale of concrete. On prefabricated forms, plywood panel faces (when the grade is suitable) may be reversed if damaged, and tie holes may be patched with metal plates, plugs or plastic materials. Nails should be removed and holes filled with patching plaster, plastic wood, or other suitable materials.

### **Handling and Storage**

Care should be exercised to prevent panel chipping, denting and corner damage during handling. Panels should never be dropped. The forms should be carefully piled flat, face to face and back to back, for hauling. Forms should be cleaned immediately after stripping and can be solid-stacked or stacked in small packages, with faces together. This slows the drying rate and minimizes face checking.

Plywood stack handling equipment and small trailers for hauling and storing panels between jobs will minimize handling time and damage possibilities. During storage, the stacks of plywood panels should be kept out of the sun and rain, or covered loosely to allow air circulation without heat build-up. Panels no longer suited for formwork may be saved for use in subflooring or wall and roof sheathing if their condition permits.

Specially coated panels with long-lasting finishes that make stripping easier and reduce maintenance costs are available. They should be handled carefully to assure maximum number of reuses.

Hairline cracks or splits may occur in the face ply. These "checks" may be more pronounced after repeated use of the form. Checks do not mean the plywood is delaminating. A thorough program of form maintenance including careful storage to assure slow drying will minimize face checking.

### **Coatings and Agents**

**Protective sealant coatings and release agents** for plywood increase form life and aid in stripping. "Mill-oiled" Plyform panels may require only a light coating of release agent between uses. Specifications should be checked before using any release agent on the forms.

A form release agent, applied a few days before the plywood is used, then wiped so a thin film remains, will prolong the life of the plywood form, increase its release characteristics and minimize staining.

A "chemically reactive" release agent will give overlaid panels the longest life and should be applied prior to the first pour. Some concrete additives may degrade overlays. Check with the manufacturer and see sidebar, page 11.

The selection of a release agent should be made with an awareness of the product's influence on the finished surface of the concrete. For example, some release agents including waxes or silicones should not be used where the concrete is to be painted. The finished architectural appearance should be considered when selecting the form surface treatment.

**Plywood form coatings**, such as lacquers, resin or plastic base compounds and similar field coatings sometimes are used to form a hard, dry, water-resistant film on plywood forms. The performance level of these coatings is generally rated somewhere between B-B Plyform and High Density Overlaid plywood. In most cases the need for application of release agents between pours is reduced by the field-applied coatings, and many contractors report obtaining significantly greater reuse than with the B-B Plyform, but generally fewer than with HDO plywood.

Mill-coated products of various kinds are available, in addition to "mill-oiled" Plyform. Some plywood manufacturers suggest no release agents with their proprietary concrete forming products, and claim exceptional concrete finishes and a large number of reuses.

## FORM DESIGN

### Introduction

This section presents tables and shows how to use them to choose the right Plyform thickness for most applications. It also includes tables for choosing the proper size and spacing of joists, studs, and wales. See pages 17-20 for technical information of interest to the form manufacturer or the engineer who must design forms having loading conditions and/or deflection criteria not included in the following tables.

Though many combinations of frame spacing and plywood thicknesses will meet the structural requirements, it is probably better to use only one thickness of plywood and then vary the frame spacing for different pressures. Plyform can be manufactured in various thicknesses, but 19/32", 5/8", 23/32" and 3/4" Plyform Class I panels are most commonly available. Plywood thickness should be compatible with form tie dimensions. For large jobs or those having special requirements, other thicknesses may be preferable, but could require a special order.

### Concrete Pressures

The required plywood thickness, as well as size and spacing of framing, will depend on the maximum load. The first step in form design is to determine maximum concrete pressure. It will depend on such things as pour rate, concrete temperature, concrete slump, cement type, concrete density, method of vibration, and height of form.

### Pressures on Column and Wall Forms

Table 1 shows the lateral pressure for newly placed concrete that should be used for the design of column and wall formwork. This pressure is based on the recommendations of the American Concrete Institute (ACI). When formwork is to be designed for exterior vibration or to be used in conjunction with pumped concrete placement systems, the design pressures listed should increase in accordance with accepted concrete industry standards.

Concrete form design procedures are based on ACI standard 347-04 (pending publication by ACI), which recognizes the use of a large number of variables in modern concrete designs. These variables include the use of various cement types, admixtures, design slumps, concrete placement systems, etc. The effect of some of these variables on concrete forming pressures is addressed by the unit weight coefficient,  $C_w$ , and the chemistry coefficient,  $C_c$ , as shown in the Tables 9 and 10.

Concrete pressure is in direct proportion to its density. Pressures shown in Table 1 are based on a density of 150 pounds per cubic foot (pcf). They are appropriate for the usual range of concrete poured. For other densities and mixes, pressures may be adjusted by  $C_w$  and  $C_c$  from Tables 9 and 10. For pour rates,  $R$ , greater than 15 feet/hr, calculate wall pressures by  $p = wh$ .

### Loads on Slab Forms

Forms for concrete slabs must support workers and equipment (live loads) as well as the weight of freshly placed concrete (dead load). Normal weight concrete (150 pcf) will place a load on the forms of 12.5 psf for each inch of

slab thickness. Table 2 gives minimum design loads which represent average practice when either motorized or nonmotorized buggies are used for placing concrete. These loads include the effects of concrete, buggies, and workers.

### Curved Forms

Plyform can also be used for curved forms, as illustrated on page 8. The following radii have been found to be appropriate minimums for mill-run panels of the thicknesses shown when bent dry. Tighter radii can be developed by selecting panels that are free of knots and short grain, and/or by wetting or steaming. Occasionally, a panel may develop localized failure at these tighter radii.

### Recommended Pressures on Plyform

Recommended maximum pressures on the more common thicknesses of Plyform Class I are shown in Tables 3 and 4. Tables 5 and 6 show pressures for Structural I Plyform. Calculations for these pressures were based on deflection limitations of 1/360th or 1/270th of the span, or shear or bending strength: whichever provided the most conservative (lowest load) value. Use unshaded columns for design of architectural concrete forms where appearance is important.

**MINIMUM BENDING RADII**

Plywood Thickness (in.)	Across the Grain (ft)	Parallel to Grain (ft)
1/4	2	5
5/16	2	6
3/8	3	8
1/2	6	12
5/8	8	16
3/4	12	20

TABLE 1

**CONCRETE PRESSURES FOR COLUMN AND WALL FORMS**

Pour Rate (ft/hr)	Pressures of Vibrated Concrete (psf) <sup>(a)(b)(d)</sup>					
	50°F <sup>(c)</sup>			70°F <sup>(c)</sup>		
	Columns	Walls		Columns	Walls	
		To 14'	15' and Over		To 14'	15' and Over
1	600	600	1070	600	600	810
2	600	600	1130	600	600	850
3	690	690	1190	600	600	890
4	870	870	1240	660	660	930
5	1050	1050	1300	790	720	970
6	1230	1230	1350	920	920	1010
7	1410	1410	1410	1050	1050	1050
8	1590	1470	1470	1180	1090	1090
9	1770	1520	1520	1310	1130	1130
10	1950	1580	1580	1440	1170	1170

(a) Maximum pressure need not exceed  $wh$ , where  $w$  is the unit weight of concrete (lb/ft<sup>3</sup>), and  $h$  is maximum height of pour in feet.

(b) Based on Types I and III cement concrete with density of 150 pcf and 7 inch maximum slump, without additives, and a vibration depth of 4 feet or less.

(c) See pages 17 and 18 for additional information on concrete form pressures.

(d) 600 psf is recommended minimum design pressure.

TABLE 2

**DESIGN LOADS FOR SLAB FORMS**

Slab Thickness (in.)	Design Load (psf)	
	Nonmotorized Buggies <sup>(a)</sup>	Motorized Buggies <sup>(b)</sup>
4	100 <sup>(c)</sup>	125 <sup>(c)</sup>
5	113	138
6	125	150
7	138	163
8	150	175
9	163	188
10	175	200

(a) Includes 50 psf live load for workers, equipment, impact, etc.

(b) Includes 75 psf live load for workers, equipment, impact, etc.

(c) Minimum design load regardless of concrete weight.

**Effect of Admixtures in Forming Panels**

Admixtures are liquids, solids, powders or chemicals added to a concrete mix to change the properties of a basic mix of cement, water and coarse aggregate. They can speed or retard setting times, increase workability, increase air content, decrease water permeability, increase strength, etc. Admixtures include pozzolans such as silica fume, blast-furnace slag and fly ash.

The use of admixtures has become relatively common and many of these additives increase abrasiveness and/or alkalinity of the concrete. While wood and phenolic overlays are very resistant to alkaline solutions and abrasion, the use of admixtures may significantly decrease the "normal" life of a concrete-forming panel. The examples of reuse life that follow assume standard concrete mixes with minimal or no use of admixtures.

TABLE 3

**RECOMMENDED MAXIMUM PRESSURES ON PLYFORM CLASS I (psf)<sup>(a)(c)</sup>  
FACE GRAIN ACROSS SUPPORTS<sup>(b)</sup>**

Support Spacing (in.)	Plywood Thickness (in.)													
	15/32		1/2		19/32		5/8		23/32		3/4		1-1/8	
4	2715	2715	2945	2945	3110	3110	3270	3270	4010	4010	4110	4110	5965	5965
8	885	885	970	970	1195	1195	1260	1260	1540	1540	1580	1580	2295	2295
12	355	395	405	430	540	540	575	575	695	695	730	730	1370	1370
16	150	200	175	230	245	305	265	325	345	390	370	410	740	770
20	-	115	100	135	145	190	160	210	210	270	225	285	485	535
24	-	-	-	-	-	100	-	110	110	145	120	160	275	340
32	-	-	-	-	-	-	-	-	-	-	-	-	130	170

(a) Deflection limited to 1/360th of the span, 1/270th where shaded.

(b) Plywood continuous across two or more spans.

(c) ACI recommends a minimum lateral design pressure of 600 C<sub>w</sub> but it need not exceed p = wh.

TABLE 4

**RECOMMENDED MAXIMUM PRESSURES ON PLYFORM CLASS I (psf)<sup>(a)(c)</sup>  
FACE GRAIN PARALLEL TO SUPPORTS<sup>(b)</sup>**

Support Spacing (in.)	Plywood Thickness (in.)													
	15/32		1/2		19/32		5/8		23/32		3/4		1-1/8	
4	1385	1385	1565	1565	1620	1620	1770	1770	2170	2170	2325	2325	4815	4815
8	390	390	470	470	530	530	635	635	835	835	895	895	1850	1850
12	110	150	145	195	165	225	210	280	375	400	460	490	1145	1145
16	-	-	-	-	-	-	-	120	160	215	200	270	710	725
20	-	-	-	-	-	-	-	-	115	125	145	155	400	400
24	-	-	-	-	-	-	-	-	-	-	-	100	255	255

(a) Deflection limited to 1/360th of the span, 1/270th where shaded.

(b) Plywood continuous across two or more spans.

(c) ACI recommends a minimum lateral design pressure of 600 C<sub>w</sub> but it need not exceed p = wh.

Though not manufactured specifically for concrete forming, grades of plywood other than Plyform have been used for forming when thin panels are needed for curved forms. The recommended pressures shown in Tables 3 and 4 give a good estimate of performance for sanded grades such as APA A-C Exterior and APA B-C Exterior, and unsanded grades such as APA Rated Sheathing Exterior and Exposure 1 (CDX) (marked PS 1), provided face grain is across supports. For Group 1 sanded grades, use the tables for Plyform Class I. For unsanded grades (Span Rated PS 1

panels) use the Plyform Class I tables assuming 15/32" Plyform for 32/16 panels, 19/32" for 40/20 and 23/32" for 48/24.

Textured plywood has been used to obtain various patterns for architectural concrete. Many of these panels have some of the face ply removed due to texturing. Consequently, strength and stiffness will be reduced. As textured plywood is available in a variety of patterns and wood species, it is impossible to give exact factors for strength and stiffness reductions. For approximately equivalent strength, specify the desired

grade in Group 1 species and determine the thickness assuming Plyform Class I. When 3/8" textured plywood is used as a form liner, assume that the plywood backing must carry the entire load.

In some cases, it may be desirable to use two layers of plywood. The recommended pressures shown in Tables 3 through 6 are additive for more than one layer.

Tables 3 through 6 are based on the plywood acting as a continuous beam which spans between joists or studs. No blocking is assumed at the unsupported panel edges. Under conditions of high

TABLE 5

**RECOMMENDED MAXIMUM PRESSURES ON STRUCTURAL I PLYFORM (psf)<sup>(a)(c)</sup>  
FACE GRAIN ACROSS SUPPORTS<sup>(b)</sup>**

Support Spacing (in.)	Plywood Thickness (in.)													
	15/32		1/2		19/32		5/8		23/32		3/4		1-1/8	
4	3560	3560	3925	3925	4110	4110	4305	4305	5005	5005	5070	5070	7240	7240
8	890	890	980	980	1225	1225	1310	1310	1590	1590	1680	1680	2785	2785
12	360	395	410	435	545	545	580	580	705	705	745	745	1540	1540
16	155	205	175	235	245	305	270	330	350	400	375	420	835	865
20	-	115	100	135	145	190	160	215	210	275	230	290	545	600
24	-	-	-	-	-	100	-	110	110	150	120	160	310	385
32	-	-	-	-	-	-	-	-	-	-	-	-	145	190

(a) Deflection limited to 1/360th of the span, 1/270th where shaded.

(b) Plywood continuous across two or more spans.

(c) ACI recommends a minimum lateral design pressure of 600 C<sub>w</sub> but it need not exceed p = wh.

TABLE 6

**RECOMMENDED MAXIMUM PRESSURES ON STRUCTURAL I PLYFORM (psf)<sup>(a)(c)</sup>  
FACE GRAIN PARALLEL TO SUPPORTS<sup>(b)</sup>**

Support Spacing (in.)	Plywood Thickness (in.)													
	15/32		1/2		19/32		5/8		23/32		3/4		1-1/8	
4	1970	1970	2230	2230	2300	2300	2515	2515	3095	3095	3315	3315	6860	6860
8	470	530	605	645	640	720	800	865	1190	1190	1275	1275	2640	2640
12	130	175	175	230	195	260	250	330	440	545	545	675	1635	1635
16	-	-	-	-	-	110	105	140	190	255	240	315	850	995
20	-	-	-	-	-	-	-	100	135	170	170	210	555	555
24	-	-	-	-	-	-	-	-	-	-	-	115	340	355

(a) Deflection limited to 1/360th of the span, 1/270th where shaded.

(b) Plywood continuous across two or more spans.

(c) ACI recommends a minimum lateral design pressure of 600 C<sub>w</sub> but it need not exceed p = wh.

moisture or sustained load to the panel however, edges may have greater deflection than the center of the panel and may exceed the calculated deflection unless panel edges are supported. For this reason, and to minimize differential deflection between adjacent panels, some form designers specify blocking at the unsupported edge, particularly when face grain is parallel to supports.

### Concrete Forming Design Example 1: Step 1 – Selection of Plyform Class I for Wall Forms

Internally vibrated concrete will be placed in wall forms at the rate of 3 feet per hour; concrete temperature is 70°.

What is the maximum support spacing for 23/32" Plyform Class I for architectural concrete if the wall is 9 feet high?

The concrete to be used is made with Type I cement, weighs approximately 150 lbs per cubic foot, contains no fly ash, slag or retarders, has a 4-inch slump, and is internally vibrated to a depth of 4 feet or less. The safe working load of our ties is 2250 lb.

#### Find Maximum Concrete Pressure:

Table 1 shows 600 psf pressure for 70° and a pour rate of 3 feet per hour. This is less than wh (150 x 9 ft = 1350 psf), therefore, use 600 psf maximum design pressure.

**Select Table Giving Maximum Pressure on Plyform:** Assume the plywood will be placed with its face grain across supports. Therefore, see Table 3.

#### Determine Maximum Support Spacing:

Look down the column for 23/32" Plyform. It shows 695 psf for supports at 12 inches on center. In this case, 12 inches is the maximum recommended support spacing.

### Step 2 – Selecting Size of Joists, Studs, and Wales

The loads carried by slab joists, and by wall studs and wales are proportional to their spacings as well as to the

maximum concrete pressure. Tables 7 and 8 give design information for lumber framing directly supporting the plywood. Note that the tables show spans for two conditions: members over 2 or 3 supports (1 or 2 spans) and over 4 or more supports (3 or more spans). Some forming systems use doubled framing members. Even though Tables 7 and 8 are for single members, these tables can be adapted for use with multiple members. The example following Tables 7 and 8 shows how to account for these factors.

### Step 3 – Selection of Framing for Wall Forms

Design the lumber studs and double wales for the Plyform selected in Step 1. Maximum concrete pressure is 600 psf.

**Design Studs:** Since the plywood must be supported at 12" on center, space studs 12" on center. The load carried by each stud equals the concrete pressure multiplied by the stud spacing in feet:\*

$$600 \text{ psf} \times \frac{12}{12} \text{ ft} = 600 \text{ lb per ft}$$

\*This method is applicable to most framing systems. It assumes the maximum concrete pressure is constant over the entire form. Actual distribution is more nearly "trapezoidal" or "triangular." Design methods for these distributions are covered in the American Concrete Institute's *Formwork for Concrete*.

Assuming No. 2 Douglas-fir or southern pine 2x4 studs continuous over 4 supports (3 spans), Table 7 shows a 32" span for 600 lb per ft. Interpolate when necessary.

The 2x4 studs must be supported at least every 32" on center. For a symmetrical initial form layout, support the studs with wales spaced 24" on center.

**Design Double Wales:** The load carried by the double wales equals the maximum concrete design pressure multiplied by the wale spacing in feet, or

$$600 \text{ psf} \times \frac{24}{12} \text{ ft} = 1200 \text{ lb per ft}$$

TABLE 7

MAXIMUM SPANS FOR LUMBER FRAMING, INCHES – DOUGLAS-FIR NO. 2 OR SOUTHERN PINE NO. 2

Equivalent Uniform Load (lb/ft)	Continuous Over 2 or 3 Supports (1 or 2 Spans)							Continuous Over 4 or More Supports (3 or More Spans)						
	Nominal Size							Nominal Size						
	2x4	2x6	2x8	2x10	4x4	4x6	4x8	2x4	2x6	2x8	2x10	4x4	4x6	4x8
200	48	73	92	113	64	97	120	56	81	103	126	78	114	140
400	35	52	65	80	50	79	101	39	58	73	89	60	88	116
600	29	42	53	65	44	64	85	32	47	60	73	49	72	95
800	25	36	46	56	38	56	73	26	41	52	63	43	62	82
1000	22	33	41	50	34	50	66	22	35	46	56	38	56	73
1200	19	30	38	46	31	45	60	20	31	41	51	35	51	67
1400	18	28	35	43	29	42	55	18	28	37	47	32	47	62
1600	16	25	33	40	27	39	52	17	26	34	44	29	44	58
1800	15	24	31	38	25	37	49	16	24	32	41	27	41	55
2000	14	23	29	36	24	35	46	15	23	30	39	25	39	52
2200	14	22	28	34	23	34	44	14	22	29	37	23	37	48
2400	13	21	27	33	21	32	42	13	21	28	35	22	34	45
2600	13	20	26	31	20	31	41	13	20	27	34	21	33	43
2800	12	19	25	30	19	30	39	12	20	26	33	20	31	41
3000	12	19	24	29	18	29	38	12	19	25	32	19	30	39
3200	12	18	23	28	18	28	37	12	19	24	31	18	29	38
3400	11	18	22	27	17	27	35	12	18	24	30	18	28	36
3600	11	17	22	27	17	26	34	11	18	23	30	17	27	35
3800	11	17	21	26	16	25	33	11	17	23	29	16	26	34
4000	11	16	21	25	16	24	32	11	17	22	28	16	25	33
4200	11	16	20	25	15	24	31	11	17	22	28	16	24	32
4400	10	16	20	24	15	23	31	10	16	22	27	15	24	31
4600	10	15	19	24	14	23	30	10	16	21	26	15	23	31
4800	10	15	19	23	14	22	29	10	16	21	26	14	23	30
5000	10	15	18	23	14	22	29	10	16	21	25	14	22	29

**Notes:**

Spans are based on the 2001 NDS allowable stress values.  $C_D = 1.25$ ,  $C_r = 1.0$ ,  $C_M = 1.0$

Spans are based on dry, single-member allowable stresses multiplied by a 1.25 duration-of-load factor for 7-day loads.

Deflection is limited to 1/360th of the span with 1/4" maximum. Spans are measured center-to-center on the supports.

Spans within brown boxes are controlled by deflection. Shear governs within white boxes. Bending governs elsewhere.

Since the wales are doubled, each 2x4 wale carries 600 lb per ft ( $1200 \div 2 = 600$ ). Assuming 2x4 wales continuous over 4 or more supports, Table 7 shows a 32" span for 600 lb per ft. Assume support of 2x4s at 24" on center, for now, with form ties. (Place bottom wale 12" from bottom of form).

**Note:** Tables 7 and 8 are for uniform loads but the wales actually receive point loads from the studs. This method of approximating the capacity of the wales is adequate when there are three or more studs between the ties. A point load analysis should be performed when there are only one or two studs between the ties. Point-load analysis for this example confirmed the adequacy of the final design.

**Tie Spacing:** The load on each tie equals the load on the double wales times the tie spacing in feet, or

$$1200 \text{ lb per ft} \times \frac{24}{12} \text{ ft} = 2400 \text{ lb}$$

If allowable load on the tie is less than 2400 lb, the tie spacing may be decreased accordingly. In this case, a tie with 2250 lb safe working load should be spaced no more than:

$$\frac{2250}{1200} \times 12 \text{ in.} = 22.5 \text{ in.}$$

To maintain a symmetrical layout, space ties 12" o.c.

Figure 1 illustrates the final design resulting from the example problem.

Note that the design pressure drops off above  $\frac{600}{150} = 4$  ft and the spacings could be increased. For construction sites, however, equal spacings will reduce errors.

### Other Loads on Forms

Concrete forms must also be braced against lateral loads due to wind and any other construction loads. Design forms for lateral wind loads of at least 15 pounds per square foot – or greater if required by local codes. In all cases, bracing for forms should be designed to carry at least 100 pounds per lineal foot applied at the top.

TABLE 8

#### MAXIMUM SPANS FOR LUMBER FRAMING, INCHES – HEM-FIR NO. 2

Equivalent Uniform Load (lb/ft)	Continuous Over 2 or 3 Supports (1 or 2 Spans) Nominal Size							Continuous Over 4 or More Supports (3 or More Spans) Nominal Size						
	2x4	2x6	2x8	2x10	4x4	4x6	4x8	2x4	2x6	2x8	2x10	4x4	4x6	4x8
200	45	70	90	110	59	92	114	54	79	100	122	73	108	133
400	34	50	63	77	47	74	96	38	56	71	87	58	86	112
600	28	41	52	63	41	62	82	29	45	58	71	48	70	92
800	23	35	45	55	37	54	71	23	37	48	61	41	60	80
1000	20	31	40	49	33	48	64	20	32	42	53	37	54	71
1200	18	28	36	45	30	44	58	18	28	37	47	33	49	65
1400	16	25	33	41	28	41	54	16	26	34	43	29	45	60
1600	15	23	31	39	25	38	50	15	24	31	40	26	41	54
1800	14	22	29	37	23	36	48	14	22	30	38	24	38	50
2000	13	21	28	35	22	34	45	14	21	28	36	22	35	46
2200	13	20	26	33	20	32	42	13	20	27	34	21	33	43
2400	12	19	25	32	19	30	40	12	20	26	33	20	31	41
2600	12	19	25	30	18	29	38	12	19	25	32	19	30	39
2800	12	18	24	29	18	28	36	12	18	24	31	18	28	37
3000	11	18	23	28	17	26	35	11	18	24	30	17	27	36
3200	11	17	22	27	16	25	34	11	17	23	29	17	26	34
3400	11	17	22	27	16	25	32	11	17	22	29	16	25	33
3600	11	17	21	26	15	24	31	11	17	22	28	16	24	32
3800	10	16	21	25	15	23	31	10	16	22	28	15	24	31
4000	10	16	20	24	14	23	30	10	16	21	27	15	23	30
4200	10	15	20	24	14	22	29	10	16	21	27	14	22	30
4400	10	15	19	23	14	22	28	10	16	21	26	14	22	29
4600	10	15	19	23	13	21	28	10	15	20	26	14	21	28
4800	10	14	18	22	13	21	27	10	15	20	25	13	21	28
5000	10	14	18	22	13	20	27	10	15	20	24	13	21	27

**Notes:**

Spans are based on the 2001 NDS allowable stress values.  $C_D = 1.25$ ,  $C_r = 1.0$ ,  $C_M = 1.0$

Spans are based on dry, single-member allowable stresses multiplied by a 1.25 duration-of-load factor for 7-day loads.

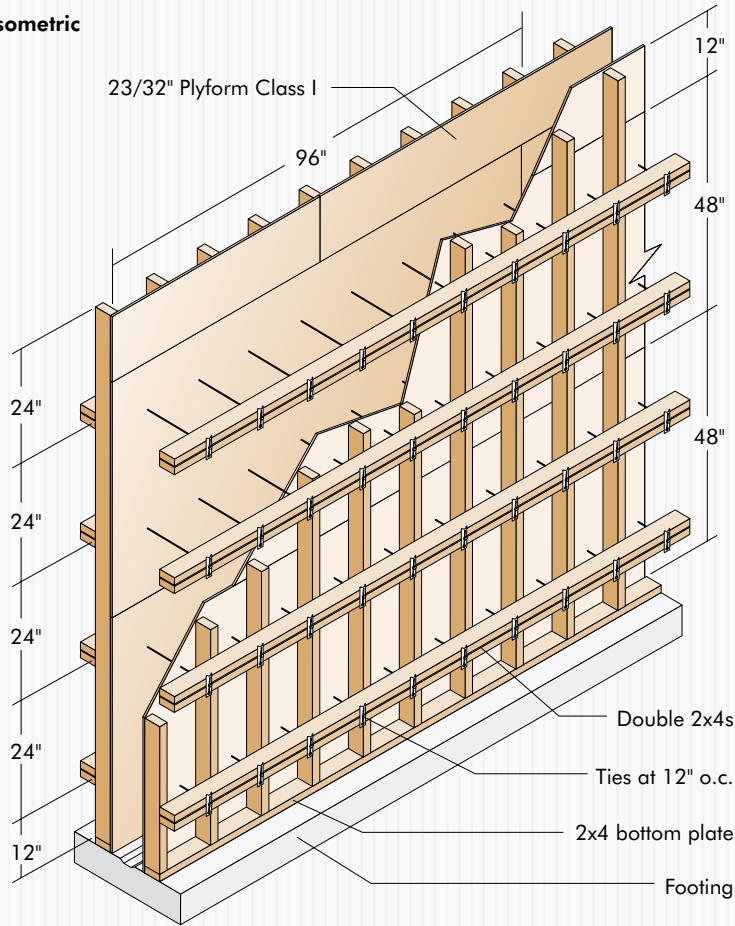
Deflection is limited to 1/360th of the span with 1/4" maximum. Spans are measured center-to-center on the supports.

Spans within brown boxes are controlled by deflection. Shear governs within white boxes. Bending governs elsewhere.

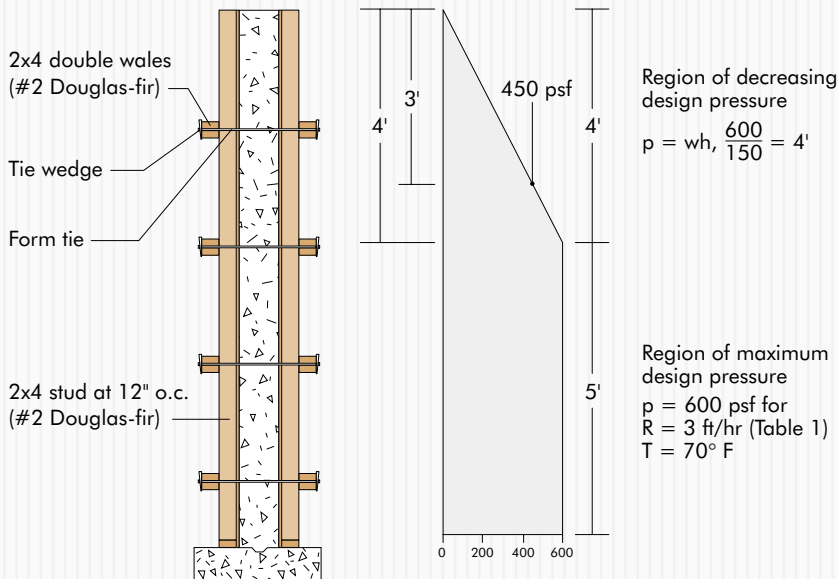
FIGURE 1

**FINAL SOLUTION TO CONCRETE FORM DESIGN EXAMPLE 1**

**Isometric**



**Cross Section**



Wall forms should be designed to withstand wind pressures applied from either side. Inclined wood braces can be designed to take both tension and compression, so braces on only one side may be used. Wood bracing must be designed so it will not buckle under axial compression load. Guy-wire bracing, on the other hand, can resist only tensile loads. If used, it is required on both sides of the form.

In general, wind bracing will also resist uplift forces on the forms, provided the forms are vertical. Walls with unusual height or exposure should be given special consideration. If forms are inclined, uplift forces may be significant. Special tiedowns and anchorages may be required in some cases.

In most forms, it is best to attach the Plyform to the framing with as few nails as possible. For slab forms, each panel must be at least corner nailed. Use 5d nails for 19/32 and 5/8 inch Plyform and 6d nails for 23/32 and 3/4 inch Plyform. In special cases, such as gang forms, additional nailing may be required. Panels expand as they absorb water. To minimize the possibility of panel buckling, do not butt panels too tightly, especially on the first pour.



## ENGINEERING DATA

The form designer may encounter loading conditions and spans not covered in the previous tables. This section is included for the engineer or form designer who requires more extensive engineering analysis.

### Concrete Pressure

As explained earlier, maximum concrete pressure will depend on several factors. Some of these factors are the unit weight of the concrete, the addition of various additives to the concrete mix and the depth of internal vibration. If external vibration is used or internal vibration is over four feet deep, design the formwork to resist a design load of  $p = wh$  (psf).

Assuming regular concrete (150 pcf), made with Type I or Type III cement, containing no pozzolans or admixtures, with a 7-inch maximum slump, and vibration limited to normal internal vibration to a depth of 4 feet or less, the American Concrete Institute recommends the following formulas to determine design pressure (ACI 347-04, pending publication by ACI):

a. For ordinary work with normal internal vibration in **columns**,

$$p_{\max} = C_w C_c \left[ 150 + 9,000 \frac{R}{T} \right]$$

(minimum 600  $C_w$  psf, but in no case greater than  $wh$ ).

b. For ordinary work with normal internal vibration in **walls** with rate of placement less than 7 feet per hour and a placement height not exceeding 14 ft.

$$p_{\max} = C_w C_c \left[ 150 + 9,000 \frac{R}{T} \right]$$

(minimum 600  $C_w$  psf, but in no case greater than  $wh$ ).

c. For ordinary work with normal internal vibration in **walls** with rate of

placement less than 7 feet per hour, where placement height exceeds 14 ft and for all walls with a placement rate of 7 to 15 ft per hour:

$$p_{\max} = C_w C_c \left[ 150 + \frac{43,400}{T} + 2,800 \frac{R}{T} \right]$$

(minimum 600  $C_w$  psf, but in no case greater than  $wh$ )

d. For **walls** with rate of placement greater than 15 feet per hour or when forms will be filled rapidly (before stiffening of the concrete takes place),  $p = wh$ , and  $h$  should be taken as the full height of the form.

Where:

$w$  = unit weight of concrete, pcf

$C_w$  = unit weight coefficient

$C_c$  = chemistry coefficient

$p$  = lateral pressure, psf

$R$  = rate of pour, feet per hour

$T$  = concrete temperature, degrees Fahrenheit

$h$  = height of fresh concrete above point considered, feet

These formulas are presented graphically in Figure 2 for various combinations of pour rate and temperature.

### Plywood Section Properties

The various species of wood used in manufacturing plywood have different stiffness and strength properties. Those species with similar properties are assigned to a species group. In order to simplify plywood design, the effects of using different species groups in a panel, as well as the effects of cross-banded construction, have been accounted for in the section properties given in Table 11. In calculating these section properties, all plies were “transformed” to properties of the face ply. Consequently the designer need not concern himself with the actual panel layout, but only with the allowable stresses for the face ply and the given section properties. Please note that these properties are for Plyform Class I

TABLE 9

#### UNIT WEIGHT COEFFICIENT $C_w$ (ACI 347-04, Pending publication by ACI)

##### Inch-Pound Version

Unit weight of concrete	$C_w$
Less than 140 lb/ft <sup>3</sup>	$C_w = 0.5 [1 + (w/145 \text{ lb/ft}^3)]$ but not less than 0.80
140 to 150 lb/ft <sup>3</sup>	1.0
More than 150 lb/ft <sup>3</sup>	$C_w = w/145 \text{ lb/ft}^3$

TABLE 10

#### CHEMISTRY COEFFICIENT $C_c$ (ACI 347-04, Pending publication by ACI)

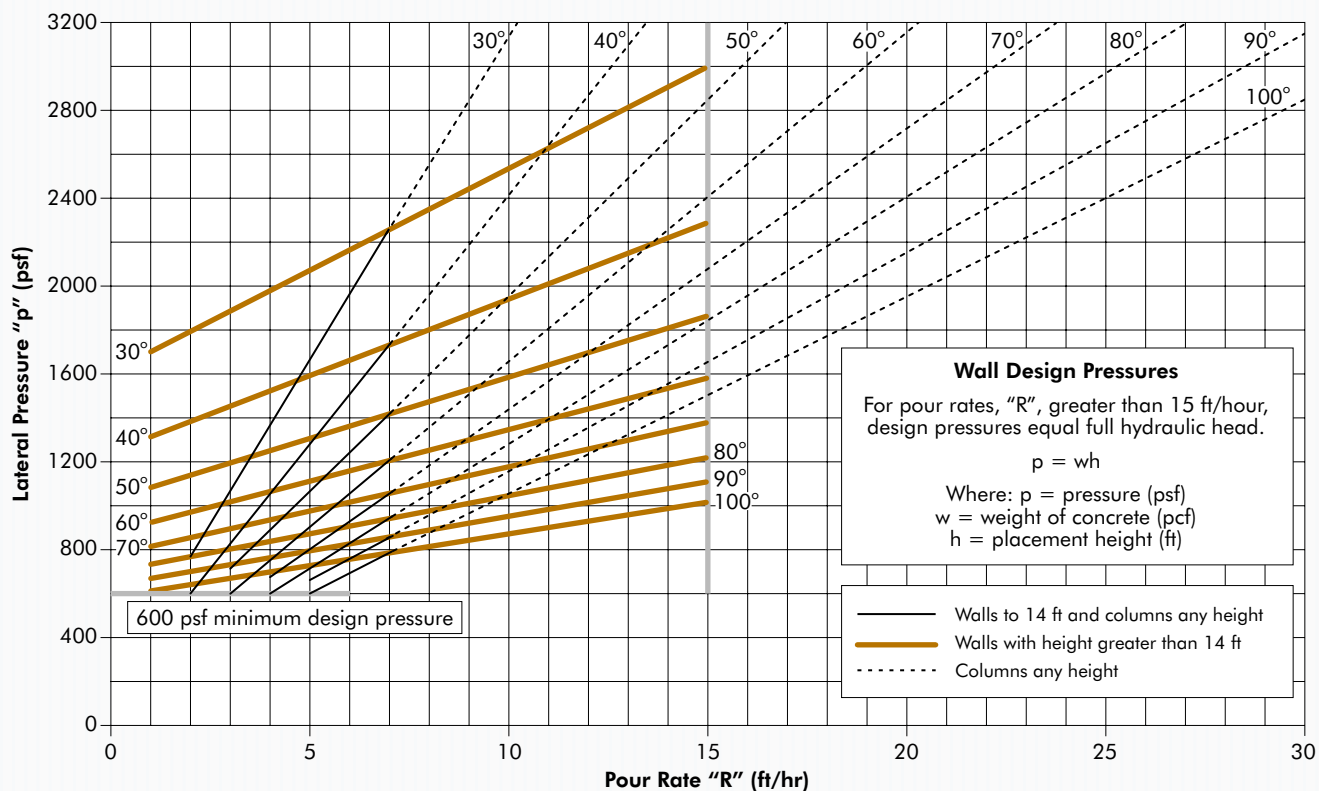
##### Cement Type or Blend

	$C_c$
Types I, II, and III without retarders*	1.0
Types I, II, and III with a retarder*	1.2
Other types of blends containing less than 70% slag or 40% fly ash without retarders*	1.2
Other types of blends containing less than 70% slag or 40% fly ash with a retarder*	1.4
Blends containing more than 70% slag or 40% fly ash	1.4

\*Retarders include any admixture, such as a retarder, retarding water reducer, retarding mid-range water-reducing admixture, or retarding high-range water-reducing admixture (superplasticizer), that delays setting of concrete.

FIGURE 2

**LATERAL CONCRETE PRESSURES FOR VARIOUS TEMPERATURES\***



\*Concrete made with Type I or Type III cement, weighing 150 pounds per cubic foot, containing no pozzolans or admixtures, having a slump of 7 inches or less and internal vibration to a depth of 4 feet or less.

and Class II and Structural I Plyform. For other plywood grades, see the section property tables in the APA publication *Plywood Design Specification* (Form Y510).

**Plywood Stresses**

The *Plywood Design Specification* gives basic plywood design stresses. As concrete forming is a special application, wet stresses should be used and then adjusted for forming conditions such as duration of load, and the rate at which the concrete stiffens and begins to carry its own weight.

In general, "wet" design stresses are adjusted by multiplying by each of the following factors:

**Concrete Setting Factor,  $C_s^{(a)}$**

Bending Stress ( $F_b$ )	1.625
Rolling Shear Stress ( $F_s$ )	1.625

(a) An adjustment to tabulated bending and shear stresses that accounts for the ability of setting concrete to carry more of its own weight with the passage of time. The adjustment was previously described as a duration-of-load factor (1.25) in combination with an "experience" adjustment (1.30).

When shear deflection is computed separately from bending deflection, as was done in preparing Tables 3 through 6, the modulus of elasticity used for calculating bending deflection may be increased 10 percent.

These adjustments result in the stresses shown in Table 12.

**Recommended Concrete Pressure**

Recommended concrete pressures are influenced by the number of continuous spans. For face grain across supports, assume 3 continuous spans up to a 32-inch support spacing and 2 spans for greater spacing. For face grain parallel to supports, assume 3 spans up to 16 inches and 2 spans for 20 and 24 inches. These are general rules only. For specific applications, other span-continuity relations may apply.

In computing recommended pressures, use center-to-center distance between supports for pressure based on bending stress. Testing has established that a shorter span, clear span + 1/4 inch, can be used in determining load based on

TABLE 11

SECTION PROPERTIES FOR PLYFORM CLASS I AND CLASS II, AND STRUCTURAL I PLYFORM<sup>(a)</sup>

Thickness (inches)	Approx. Weight (psf)	Properties for Stress Applied Parallel with Face Grain			Properties for Stress Applied Perpendicular to Face Grain		
		Moment of Inertia I (in. <sup>4</sup> /ft)	Effective Section Modulus KS (in. <sup>3</sup> /ft)	Rolling Shear Constant lb/Q (in. <sup>2</sup> /ft)	Moment of Inertia I (in. <sup>4</sup> /ft)	Effective Section Modulus KS (in. <sup>3</sup> /ft)	Rolling Shear Constant lb/Q (in. <sup>2</sup> /ft)
<b>CLASS I</b>							
15/32	1.4	0.066	0.244	4.743	0.018	0.107	2.419
1/2	1.5	0.077	0.268	5.153	0.024	0.130	2.739
19/32	1.7	0.115	0.335	5.438	0.029	0.146	2.834
5/8	1.8	0.130	0.358	5.717	0.038	0.175	3.094
23/32	2.1	0.180	0.430	7.009	0.072	0.247	3.798
3/4	2.2	0.199	0.455	7.187	0.092	0.306	4.063
7/8	2.6	0.296	0.584	8.555	0.151	0.422	6.028
1	3.0	0.427	0.737	9.374	0.270	0.634	7.014
1-1/8	3.3	0.554	0.849	10.430	0.398	0.799	8.419
<b>CLASS II</b>							
15/32	1.4	0.063	0.243	4.499	0.015	0.138	2.434
1/2	1.5	0.075	0.267	4.891	0.020	0.167	2.727
19/32	1.7	0.115	0.334	5.326	0.025	0.188	2.812
5/8	1.8	0.130	0.357	5.593	0.032	0.225	3.074
23/32	2.1	0.180	0.430	6.504	0.060	0.317	3.781
3/4	2.2	0.198	0.454	6.631	0.075	0.392	4.049
7/8	2.6	0.300	0.591	7.990	0.123	0.542	5.997
1	3.0	0.421	0.754	8.614	0.220	0.812	6.987
1-1/8	3.3	0.566	0.869	9.571	0.323	1.023	8.388
<b>STRUCTURAL I</b>							
15/32	1.4	0.067	0.246	4.503	0.021	0.147	2.405
1/2	1.5	0.078	0.271	4.908	0.029	0.178	2.725
19/32	1.7	0.116	0.338	5.018	0.034	0.199	2.811
5/8	1.8	0.131	0.361	5.258	0.045	0.238	3.073
23/32	2.1	0.183	0.439	6.109	0.085	0.338	3.780
3/4	2.2	0.202	0.464	6.189	0.108	0.418	4.047
7/8	2.6	0.317	0.626	7.539	0.179	0.579	5.991
1	3.0	0.479	0.827	7.978	0.321	0.870	6.981
1-1/8	3.3	0.623	0.955	8.841	0.474	1.098	8.377

(a) The section properties presented here are specifically for Plyform, with its special layup restrictions. For other grades, section properties are listed in the Plywood Design Specification, page 16.

TABLE 12

	Plyform Class I	Plyform Class II	Structural I Plyform
Modulus of elasticity – E (psi, adjusted, use for bending deflection calculation)	1,650,000	1,430,000	1,650,000
Modulus of elasticity – E <sub>e</sub> (psi, unadjusted, use for shear deflection calculation)	1,500,000	1,300,000	1,500,000
Bending stress – F <sub>b</sub> (psi)	1,930	1,330	1,930
Rolling shear stress – F <sub>s</sub> (psi)	72	72	102

stiffness or deflection for 2-inch nominal framing, with clear span + 5/8 inch for 4-inch nominal framing. Use clear span for calculating shear stress and shear deflection.

In some forming applications, not all of the stress adjustments may be applicable. For instance, with HDO Plyform, stresses for wet locations may not apply if panel edges are properly sealed to maintain a moisture content less than 16 percent.

The allowable pressures for various spans can be found by conventional engineering formulas. The following formulas have been adjusted to compensate for the use of mixed units and were used in preparing Tables 3 through 6.

**Pressure Controlled by Bending Stress:**

$$w_b = \frac{96 F_b KS}{\ell_1^2} \text{ for 2 spans;}$$

$$= \frac{120 F_b KS}{\ell_1^2} \text{ for 3 spans}$$

$w_b$  = uniform load (psf)  
 $F_b$  = bending stress (psi)  
 $KS$  = effective section modulus (in.<sup>3</sup>/ft)  
 $\ell_1$  = span, center-to-center of supports (in.)

**Pressure Controlled by Shear Stress:**

$$w_s = \frac{19.2 F_s (\text{lb/Q})}{\ell_2} \text{ for 2 spans;}$$

$$= \frac{20 F_s (\text{lb/Q})}{\ell_2} \text{ for 3 spans}$$

$w_s$  = uniform load (psf)  
 $F_s$  = rolling shear stress (psi)  
 $\text{lb/Q}$  = rolling shear constant (in.<sup>2</sup>/ft)  
 $\ell_2$  = clear span (in.)

**Bending Deflection:**

$$\Delta_b = \frac{w\ell_3^4}{2220 EI} \text{ for 2 spans;}$$

$$= \frac{w\ell_3^4}{1743 EI} \text{ for 3 spans}$$

$\Delta_b$  = bending deflection (in.)  
 $w$  = uniform load (psf)  
 $\ell_3$  = clear span + 1/4 inch for 2-inch framing (in.)  
 clear span + 5/8 inch for 4-inch framing (in.)  
 $E$  = modulus of elasticity, adjusted (psi)  
 $I$  = moment of inertia (in.<sup>4</sup>/ft)

**Shear Deflection:**

$$\Delta_s = \frac{Cwt^2\ell_2^2}{1270 E_e I}$$

$\Delta_s$  = shear deflection (in.)  
 $C$  = constant, equal to 120 for face grain across supports, and 60 for face grain parallel to supports  
 $t$  = plywood thickness (in.)  
 $E_e$  = modulus of elasticity, unadjusted (psi)

The following example illustrates the procedure for calculating allowable pressures by the use of engineering formulas. The allowable pressure is the least of the pressures calculated for bending stress, shear stress and deflection.

**Example 2:**

What is the recommended pressure for 3/4" Plyform Class I with face grain across supports spaced 16 inches on center, if deflection is no more than 1/360? Assume 2-inch nominal framing.

Since the span is less than 32 inches, assume 3 spans. From Table 9, section properties of 3/4" Plyform Class I:

$I$  = 0.199 in.<sup>4</sup>/ft  
 $KS$  = 0.455 in.<sup>3</sup>/ft  
 $\text{lb/Q}$  = 7.187 in.<sup>2</sup>/ft

Design stresses:

$E$  = 1,650,000 psi  
 $E_e$  = 1,500,000 psi  
 $F_b$  = 1930 psi  
 $F_s$  = 72 psi

Spans for calculation:

$\ell_1$  = span, center-to-center of supports = 16"  
 $\ell_2$  = clear span = 16" - 1.5" = 14.5"  
 $\ell_3$  = clear span + 1/4" = 14.5" + 0.25" = 14.75"

**Pressure Based on Bending Stress:**

$$w_b = \frac{120 F_b KS}{\ell_1^2}$$

$$= \frac{120 \times 1930 \times 0.455}{(16)^2} = 412 \text{ psf}$$

**Pressure Based on Shear Stress:**

$$w_s = \frac{20 F_s (\text{lb/Q})}{\ell_2}$$

$$= \frac{20 \times 72 \times 7.187}{14.5} = 714 \text{ psf}$$

**Pressure Based on Deflection:**

a) Determine allowable deflection:

$$\Delta_{\text{all}} = \frac{\ell_1}{360} = \frac{16}{360} = 0.0444"$$

b) Find shear deflection due to 1.0 psf load:

$$\Delta_s = \frac{Cwt^2\ell_2^2}{1270 E_e I}$$

$$= \frac{120 \times 1.0 \times (0.75)^2 \times (14.5)^2}{1270 \times 1,500,000 \times 0.199}$$

$$= 0.0000374"$$

c) Find bending deflection due to 1.0 psf load:

$$\Delta_b = \frac{w\ell_3^4}{1743 EI}$$

$$= \frac{1.0 \times (14.75)^4}{1743 \times 1,650,000 \times 0.199}$$

$$= 0.0000827"$$

d) Allowable pressure:

$$w_\Delta = \frac{\Delta_{\text{all}}}{\Delta_s + \Delta_b}$$

$$= \frac{0.0444}{0.0000374 + 0.0000827}$$

$$= 370 \text{ psf}$$

**SUMMARY:**

$w_b$  = 412 psf  
 $w_s$  = 714 psf  
 $w_\Delta$  = 370 psf

Therefore, 370 psf is the allowable pressure.\*

\*Pressures shown in Tables 3 through 6 were determined by computer analysis with values given for design stresses and section properties mathematically rounded. Consequently, pressures determined by hand calculations may not agree exactly with those shown in the tables.

## CASE STUDIES

### Sophisticated Slipform System Relies on Smooth, Durable Overlaid Plywood Forming Surface.

With proper planning, precise scheduling and a well-trained crew, slipforming can save time and labor.

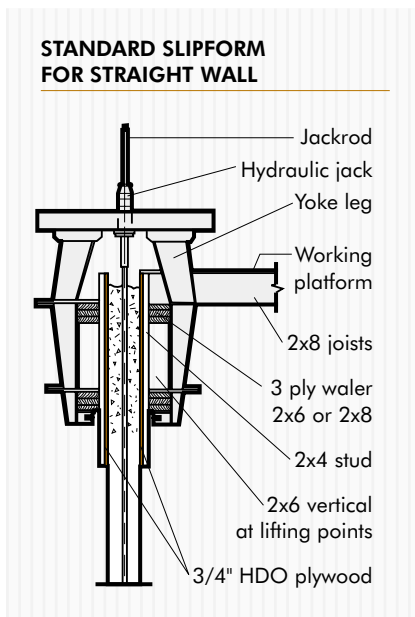
The larger the project, the more imperative the need for precision – and the smaller the margin for error.

The structure pictured here was built with a classic slipform system developed by Heede International of San Francisco, a firm which specializes in slipforming design and equipment. Heede has engineered and supervised slipform operations for structures as large as 30 stories high, with more than a million and a half square feet of interior area.

This building is a 15-story apartment in San Francisco. The 4-foot-deep slipforms were advanced 15 inches per hour during the slipping process to complete a story-height in 8 hours, operating with one shift (two three-man crews for each half-tower).

The basic form employed by Heede (see drawing) is relatively simple and fool-proof. The preferred forming material is 3/4-inch High Density Overlay plywood. Readily available, these panels deliver a smooth, even surface. Tough and durable, the panels performed

throughout the construction process and were still capable of reuse on other projects. The same HDO plywood is frequently used in patented leased form systems where 200 and more reuses are common.



### **Engineered Wood Formwork and Post-tension Reinforced Concrete Combine for Innovative Solutions in Parking Garage.**

When the Port of Seattle decided to add 1.26 million square feet of parking space at Seattle Tacoma International Airport, gang forms and slab forms framed with engineered wood members and HDO and MDO plywood saved money and material.

Wall forming of an eight-story elevator tower was accomplished with gang forms framed with laminated veneer lumber (LVL) studs and walers. The slab forms were framed with wood I-joists.

“The main reason we use the I-joists is that you get longer spans than you can even with aluminum,” said Brian Blount, project engineer for Nelson Concrete Company.

The light weight of engineered wood products provided a distinct advantage over steel, according to Blount. Especially since the forms were fabricated in Nelson’s Portland, Oregon yard and trucked to the construction site.

The concrete slabs are only six inches thick due to post-tensioned reinforcement. The original parking garage slabs were formed with metal waffle forms. According to Blount, waffle forms for the addition would have been more costly because they require more time and more material.

“The advantage of these types of forms is that you can move forming material faster and with a whole lot less people,” said Herb Dunphy, the engineer who designed the forming system for Formwork Engineering. “Speed and labor savings are the primary advantages,” said Dunphy.



The exceptional stiffness of LVL and wood I-joists kept form deflection to a minimum and resulted in a nearly architectural finish on the concrete. In addition, the forms averaged 24 pours each before they were re-skinned and put back into service.

### **Subtle Architectural Expression Achieved with Simple, Practical Forming Approach.**

The church pictured at right was designed by Paul Thiry, FAIA, to express the material as directly and simply as possible – the church looks like concrete with the same clear honesty that a stone church from another age looks like stone.

The plywood forming material reads through with a similar directness. Unsanded plywood was used with no attempt to obtain a smoother finish than the pour itself provided. The result is an awareness of the forming material as well as the final surface, without masking and without apology.

Such treatment – or restraint from treatment – helped realize the underlying architectural objective: A structure with elevated purpose produced from humble materials.

The achievement is particularly noteworthy in that the simplest, least complicated structural approach was possible. By emphasizing the character of the basic materials – plywood and concrete – rather than masking them, the architect obtained a practical, economical structure of high aesthetic merit.



**Engineered Wood Shapes  
State History: Structural Wood  
Panels Used to Form Massive  
Concrete Arches.**

It was clear from the beginning that building the Washington State History Museum in Tacoma, Washington was going to be a challenge. Not only was the museum a high-profile project on a prominent site in downtown Tacoma, but the project featured the construction of a dramatic series of eleven 55-foot-high reinforced concrete arches that were designed to accentuate the building's facade and blend into the neighboring historical Union Station.

Union Station is a huge masonry structure built in 1911 with four vaulted arches forming a central dome. The goal of the Washington State Historical Society was to construct a world class facility while maintaining the historic architecture of the former railroad station. The Historical Society turned to Moore/Andersson Architects, a Texas-based design firm, to design the facility. Moore/Andersson designed the eleven 55-foot-high reinforced concrete arches to match the same height and scale as those in Union Station. Of the eleven arches, four run east and west and the remainder intersect and run north and south.

The construction team built a 6,800-square-foot gang form composed of APA trademarked high-density overlay (HDO) plywood panels to form a single arch. Over 4,000 sheets of HDO plywood were used to create sections of



gang forms. “The first arch took us four weeks,” recalls Eric Holopainen, senior project manager for Ellis-Don Construction Co., the general contractor. “By the time we finished the second cycle, it took us just 15 days.”

By using HDO plywood, Holopainen was able to reuse the panels seven times while pouring the other arches. A scale model proved essential in determining how the panels would be laid out in the gang forms.

### **Multiple-Use Panels Help Shape Graceful Freeway Project.**

The forming requirements on complex freeway interchanges can range from relatively simple retaining walls to soaring bridges formed atop intricate scaffolding.

All the challenges were present in the Spokane Street interchange on Interstate 5 in Seattle, Washington, a city whose major arterials feed into the city by skirting the surrounding hills and waterways.

The high bridges here were formed against B-B Plyform supported by intricate timber scaffolding. The same panels were reused again and again, frequently being recut to fit new curves and new patterns.

One of the unusual features of the project is the precast retaining walls required for 8,000 feet of the freeway which was carved from a hillside. Casting walls in place would have meant waiting for the weather and the completion of earthmoving operations. The most economical approach proved to be precasting. Decking for the casting

beds was smooth 3/4-inch plywood. On top of this, at four-foot intervals, the contractor laid panels of 3/4-inch striated plywood, face up. The resulting wall sections have a pleasant textured surface. Up to 10 pours were made against a form before it was dismantled and the plywood was reused in bridge deck forming.

Most wall panels were cast in 24-foot lengths, some weighing more than 50 tons. Higher sections (maximum 34 feet) were cast in 8- or 12-foot lengths.





### **Eight Bridges in Final Phase of Dallas Central Expressway Shaped with HDO.**

Commuters on their way to work see slow but steady changes in road construction as the final phase of the five-year Dallas Central Expressway project nears completion. Eight bridges are woven into this 2.3 mile stretch of the expressway, creating challenges at every bend. The complexity of the project – differing curves and angles of bridges, 100,000 square feet of concrete retaining walls and 70,000 square feet of cantilever overhang – made versatile engineered-wood concrete forms an ideal choice.

To accommodate the variability in shape and to make the pours more manageable, each bridge was divided into corners – 32 in all. The construction teams of Granite Construction Company, the general contractor, built gang forms for pouring bridge segments, composed of APA trademarked high-density overlay (HDO) plywood panels.

Beyond the need for versatility, the highly visible nature of the surface meant the forms had to have a high reuse capability, while maintaining a top-quality surface for the finished concrete. HDO's hard, smooth surface imparted a nearly polished concrete surface, even after many pours. By using 3/4-inch HDO, Granite was able to save money by using the panels on the overhang forms for over 20 pours before turning the panels over to use the second face. The flexibility and reusability of HDO engineered wood panels also permitted the same gang forms to be used on 6 of the 8 bridges.



Another hurdle in this project was coordinating pours so that numerous home owners and business owners and their patrons still had access to the adjacent restaurants, office buildings and homes. This meant building the complex roadway in small sections and pieces. HDO gangforms made it easier for construction teams to adjust forms for pouring smaller segments.

An additional challenge for project contractors was keeping the waste factor low on a project of this size, a crucial issue in terms of cost and the environment. Approximately 400 sheets of 4 x 8 HDO were used to create the gang forms for the various pours – a low number for a project of this magnitude.



**Assembly Hall Shell System Formed with Material First Used in Main Floor and Buttress Pours.**

As on many projects, this shell roof structure was constructed over a period spanning several seasons of the year. The forming process, therefore, occurred during a wide range of weather conditions.

Plywood's natural insulating qualities helped level out temperature curves, providing more consistent curing conditions.

The structure is an 18,000-seat spectator arena at the University of Illinois. The 48 buttresses were built with six plywood forms, the same material was reused in the six traveling forms used in the roof system. The shell is composed of 24 folded-plate segments. The plywood system permitted a schedule that resulted in the completion of two roof segment pours per week.

The three concrete rings that make up the support system also were formed with plywood: the continuous ring

footing for the buttresses; the compression ring at the top of the dome; and the post-tensioned edge beam at the junction of upper and lower shells, which supports the 6,000-ton roof.

Plywood proved its versatility on this job, functioning as a workhorse material on the massive foundation pours, and also as a precision forming surface when reused in the intricate, shell-shaped roof system.

Plywood's mechanical properties contribute to its versatility, but there are other values so apparent they are often overlooked. Among those values: the material is readily available in a broad selection of thicknesses; it can be worked easily and quickly into countless shapes and patterns using ordinary tools and standard carpentry skills; the nature of the material is such that site improvisation is possible without complicated reworking of a basic system.



## **ABOUT APA - THE ENGINEERED WOOD ASSOCIATION**

APA – *The Engineered Wood Association* is a nonprofit trade association whose member mills produce a majority of the structural wood panel products manufactured in North America.

The Association's trademark appears only on products manufactured by member mills and is the manufacturer's assurance that the product conforms to the standard shown on the trademark. That standard may be an APA performance standard, the Voluntary Product Standard PS 1-95 for Construction and Industrial Plywood or Voluntary Product Standards for Wood-Based Structural-Use Panels. Panel quality of all APA trademarked products is subject to verification through APA audit.

APA's services go far beyond quality testing and inspection. The Association also:

**Operates** the most sophisticated program for basic engineered wood product research in the world.

**Maintains** a network of field representatives to assist engineered wood product users, specifiers, dealers, distributors and other segments of the trade.

**Conducts** informational buyer and specifier seminars and provides dealer and distributor sales training.

**Publishes** a vast inventory of publications on engineered wood product applications, design criteria and scores of other topics. Many of these publications are available on the Association's web site at [www.apawood.org](http://www.apawood.org).

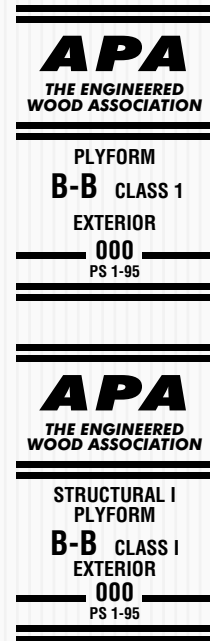
**Advertises and publicizes** engineered wood product systems and applications in national trade and consumer magazines.

**Works** to secure acceptance of engineered wood products and applications by code officials, insuring agencies and lending institutions.

**Develops and maintains** performance and industry product standards.

**Conducts** in-depth market research and development programs to identify and develop new markets in the U.S. and abroad.

**Works** in conjunction with other wood product industry organizations to solve problems of common concern.



Always insist on panels bearing the **mark of quality** – the APA trademark. Your APA panel purchase or specification is not only your highest possible assurance of product quality, but an investment in the many trade services that APA provides on your behalf.

### **For More Information**

For more information about APA panel products for concrete forming, contact APA – *The Engineered Wood Association*, 7011 So. 19th St., Tacoma, Washington 98466, or call the Association's Product Support Help Desk at (253) 620-7400. Visit the Association's web site at [www.apawood.org](http://www.apawood.org).



## CONCRETE FORMING

### DESIGN/CONSTRUCTION GUIDE

We have field representatives in many major U.S. cities and in Canada who can help answer questions involving APA trademarked products. For additional assistance in specifying APA engineered wood products, contact us:

#### APA – THE ENGINEERED WOOD ASSOCIATION HEADQUARTERS

7011 So. 19th St.  
Tacoma, Washington 98466  
(253) 565-6600 • Fax: (253) 565-7265



[www.apawood.org](http://www.apawood.org)

#### PRODUCT SUPPORT HELP DESK

(253) 620-7400  
E-mail Address: [help@apawood.org](mailto:help@apawood.org)

*The product use recommendations in this publication are based on APA – The Engineered Wood Association's continuing programs of laboratory testing, product research, and comprehensive field experience. However, because the Association has no control over quality of workmanship or the conditions under which engineered wood products are used, it cannot accept responsibility for product performance or designs as actually constructed. Because engineered wood product performance requirements vary geographically, consult your local architect, engineer or design professional to assure compliance with code, construction, and performance requirements.*

Form No. V345U  
Revised December 2003/0300

